

MSC (Mini Box)



小型化金屬化聚乙脂膜電容器

METALIZED POLYESTER CAPACITOR (MINI BOX)

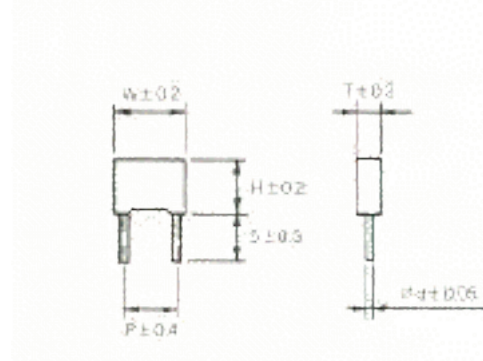
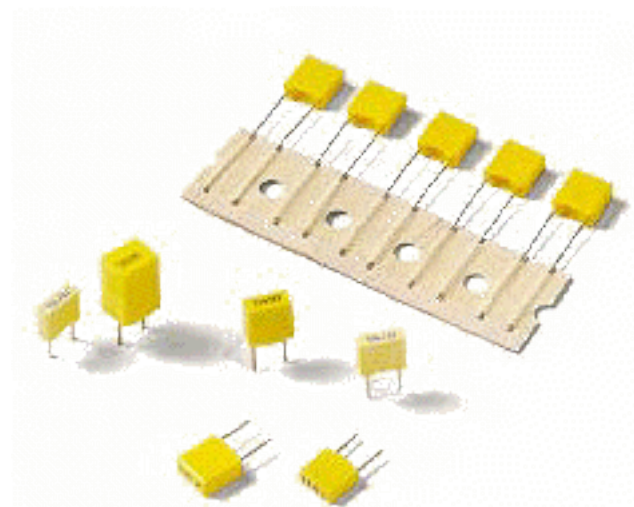
MSC are non-inductively wound with metalized Polyester as dielectric/electrode with copper-clad steel leads with epoxy resin coating. They are suitable for blocking, filtering, bypass, coupling, decoupling and timing circuits with application in telecommunication, data processing, instruments and automatic control system equipments.

FEATURES:

- Space-saving miniature size.
- Non-inductive construction.
- Self-healing property.
- Flame-retardant plastic case and epoxy resin.
- compliance with UL94V-0
- High-moisture resistance

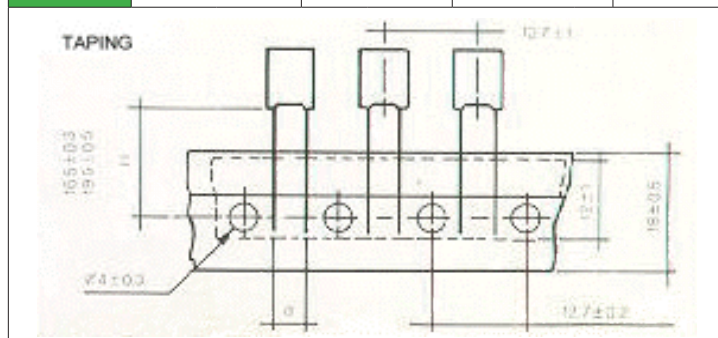
SPECIFICATION:

1. OPERATING TEMPERATURE : $-40^{\circ}\text{C} \sim +85^{\circ}\text{C}$
2. CAPACITANCE RANGE : $.001 \sim 1.0 \mu\text{F}$
3. CAPACITANCE TOLERANCE : $\pm 5\%(\text{J}), \pm 10\%(\text{K})$
4. RATED VOLTAGE : 50VDC
63VDC
100VDC
5. DISSIPATION FACTOR : 1.0 % MAX at 1KHz. 25°C
6. INSULATION RESISTANCE : $> 10000\text{M}\Omega$
($C \leq .33\mu\text{F}$)
 $> 3000\text{M}\Omega$
($C > .33\mu\text{F}$)



CAPACITANCE		50 / 63 VDC	100 VDC
SYMBOL	μF	CASE CODE	CASECODE
102	0.0010	01	01
152	0.0015	01	01
222	0.0022	01	01
332	0.0033	01	01
472	0.0047	01	01
682	0.0068	01	01
103	0.010	01	01
153	0.015	01	01
223	0.022	01	01
333	0.033	01	01
473	0.047	01	01
683	0.068	01	01
104	0.10	01	01
154	0.15	02	07
224	0.22	02	07
334	0.33	02	07
474	0.47	07	05
684	0.68	06	
105	1.0	07	

CASE CODE	W (MAX)	H (MAX)	T (MAX)	$P \pm 0.5$
01	7.5	6.5	2.5	5.0
02	7.5	8.0	3.2	5.0
05	7.5	12.0	6.0	5.0
06	7.5	10.0	6.0	5.0
07	7.5	8.0	5.0	5.0



Case / Quantity	REEL	AMMOPACK	BULK
01	2500	2500	5000
02	1800	2000	3800
05	900	1100	1500
06	900	1100	1500
07	1200	1250	2500